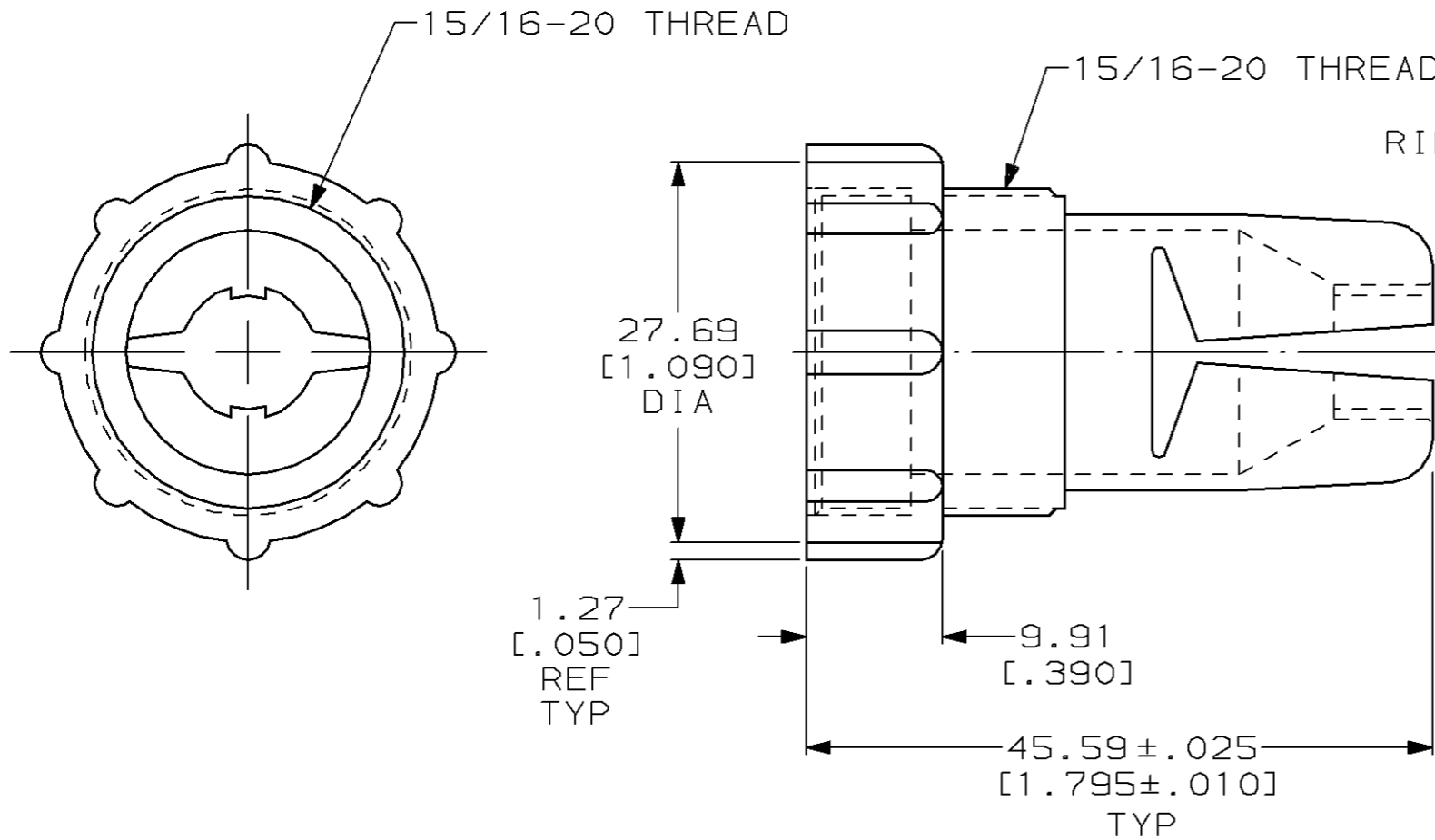
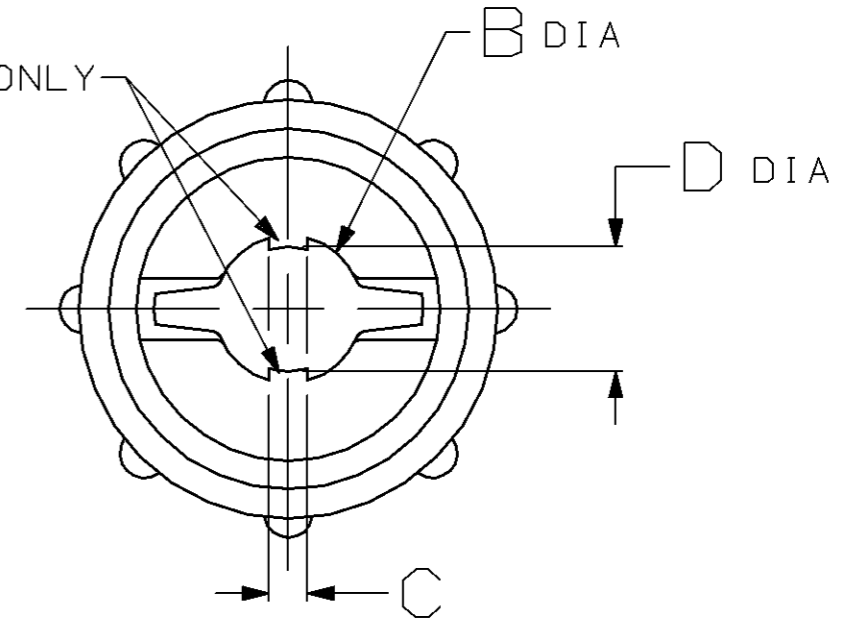


THIS DRAWING IS UNPUBLISHED. RELEASED FOR PUBLICATION, 19
 © COPYRIGHT 19 BY AMP INCORPORATED. ALL INTERNATIONAL RIGHTS RESERVED.

MOD	LOC	DIST	P	F	REVISIONS			
ZONE	LTR	DESCRIPTION	DATE	APPD				
4	BD	35			G	REDRAWN W/O CHANGE PER EC 0020-600-94	06/20/94	AF
					H	OBSOLETE -4 PER EC 0020-1564-93	08/29/94	AF



RIBS 207387-4 ONLY



8.26 [.325]	2.54 [.100]	9.78 [.385]	△2 207387-4 △3
-	-	9.78 [.385]	△2 207387-2
-	-	8.26 [.325]	△1 207387-1
D	C	B	PART NUMBER

- △1 CABLE RANGE OF 207387-1 WHEN USED WITH FLEXIBLE BOOT (P/N 207241-1) = 5.08-6.35 [.200-.250] DIA.
- △2 CABLE RANGE OF 207387-2, & 207387-4 WHEN USED WITH FLEXIBLE BOOT (P/N 207241-1) = 6.35-8.89 [.250-.350] DIA.
- △3 OBSOLETE PART NUMBER.

THIS DRAWING IS A CONTROLLED DOCUMENT FOR AMP INCORPORATED. IT IS SUBJECT TO CHANGE AND THE CONTROLLING ENGINEERING ORGANIZATION SHOULD BE CONTACTED FOR THE LATEST REVISION.

DO NOT SCALE PRINT. UNLESS SPECIFIED DIMENSIONS IN mm [INCHES] TOLERANCES ON: 2 PLC DEC ± 0.13 [.005] 3 PLC DEC ± - ANGLES ± -	DR 06/20/94 K.FOLTZ	AMP Incorporated Harrisburg, PA 17105-3608
	CHK 06/24/94 R.STONE	
	APPD 08/09/94 A.FRANTUM	
	APPD 08/09/94 A.FRANTUM	
MATERIAL THERMOPLASTIC COLOR: BLACK	PRODUCT SPEC -	NAME CABLE GRIP, INTERNAL, SIZE 17, CPC
FINISH -	APPLICATION SPEC -	SIZE B CAGE CODE 00779 DRAWING NO C-207387
	WEIGHT -	SCALE 2:1 SHEET 1 OF 1